

FlexLink RSC201 series

1-, 2-, 3-, 4- or 6-way broadband Redundancy Switches

The **FlexLink RSC201** series represents professional 2:1 redundancy switch units in 1RU/19" rack-mount design, operating at a broadband frequency range of 5...2500MHz. The units are available as 1-way (1 x 2:1), 2-way (2 x 2:1), 3-way (3 x 2:1), 4-way (4 x 2:1) or 6-way (6 x 2:1) redundancy switches, all housed in a compact 1RU/19" chassis.

The **FlexLink RSC201** 2:1 redundancy switch's output port can be switched to one input port manually or automatically while all input signals are individually monitored considering the predefined threshold level. The units provide alarming and also controls the switching independently. The unit is designed to allow redundancy switching between an active unit to a back-up unit so to assure constant and stable RF signal availability.

The **FlexLink RSC201** units also feature 1:1 redundant dual power-supply while front-panel status LED's indicating RF-port and power-supply status, optionally the units are available with DC-through voltage via all ports enabling DC-supply of interconnected devices.

The units have a front-panel LC-Display/keypads for user-friendly local configuration. Remote access and configuration can be done via a rear side Ethernet-Interface (WebGUI/SNMP) while it can also be integrated into a third party management and control system (NMS or M&C) via SNMP.

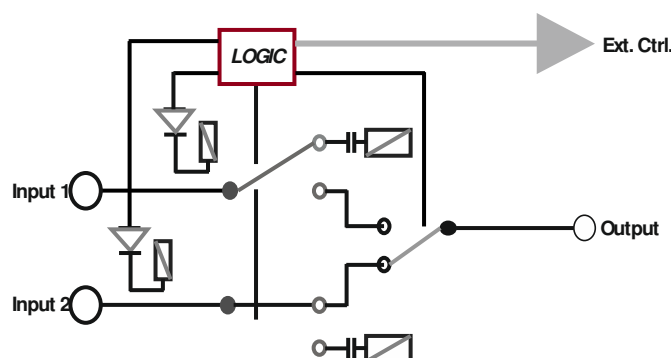
This **FlexLink RSC201** redundancy switches are perfectly suited for integration in Teleports, Satellite Earth-Stations as well as Broadcasting and Cable/IPTV headend architectures providing excellent and stable performance during operation while highest RF performance is assured.



FEATURES & BENEFITS

- Broadband frequency range 5...2500MHz
- Available as 1-way (1 x 2:1), 2-way (2 x 2:1), 3-way (3 x 2:1), 4-way (4 x 2:1) and 6-way (6 x 2:1) redundancy switches, each housed in one 1RU/19" chassis
- Autonomous manual and automatic redundancy switching
- RF power monitoring & Threshold level control @ all inputs
- Remote and front-panel alarm monitoring/control
- Various beneficial Options
 - RC Option: Remote sense alarm interface input DB9 (only Single Unit)
 - ARS Option: Auto reverse/fallback switching function (manually & automatically)
 - DC-through voltage: 30V max., 500mA per port (@ all ports)*
- 1:1 redundant dual power-supply
- Front-panel status LED's (RF port and power-supply status)
- Local configuration & monitoring via front-panel LC-Display/keypads
- Remote configuration & monitoring via rear-panel Ethernet-Interface (WebGUI, SNMP), RS232*

*upon request only



FlexLink RSC201 series

1-, 2-, 3-, 4- or 6-way broadband Redundancy Switches

TECHNICAL SPECIFICATIONS

➤ Dimensions:	1RU/19", 400mm deep
➤ Power Supply:	85...230V, 50/60Hz (1:1 redundant, hot swappable)
➤ Power consumption:	<10W
➤ Frequency range:	5...2500MHz
➤ Switching function:	1-way (1 x 2:1), 2-way (2 x 2:1), 3-way (3 x 2:1), 4-way (4 x 2:1) or 6-way (6 x 2:1)
➤ Switching configuration:	Autonomous switching, manually or automatically
➤ Switching Cycles:	10E6 min.
➤ Switching type:	Solid state
➤ Impedance/connectors:	50Ohm SMA(f) or 75Ohm F(f)
➤ Insertion loss:	2.0dB typ. @ 1GHz / 2.5dB max. @ 2.5GHz / 3.0dB max. @ 2,5GHz
➤ Nominal power:	20dBm
➤ Input Return loss:	14dB min.
➤ Output Return loss:	14dB min.
➤ Isolation:	60dB @ 2GHz
➤ Damaged level:	+30dBm
➤ RF Power monitoring:	-40dBm...+10dBm dynamic range, Threshold level control f. automatic switching
➤ Alarming/Monitoring:	Remote & front-panel alarm, monitoring & control
➤ DC-through voltage:	30V max, 500mA per Port (Option 081)'
➤ Local control:	LC-Display/keypads, Status LED's
➤ Remote control:	Ethernet-Interface (WebGUI, SNMPv2c); RS232 interface*
➤ Operating temperature:	0°C...45°C
➤ Storage temperature:	-10°C...65°C
➤ Humidity:	90% non-condensing
➤ RoHS:	Compliant

*upon request only

ORDER INFORMATION

Type	Short Description	I/O connectors
FlexLink RSC201-50/-75	Broadband Redundancy Switch unit, 1 x 2:1 rear-side, 5...2500MHz, 1RU/19" rack-mount	50Ohm SMA(f) 75Ohm F(f)
FlexLink RSC201-2-50/-75	Broadband Redundancy Switch unit, 2 x 2:1 rear-side, 5...2500MHz, 1RU/19" rack-mount	50Ohm SMA(f) 75Ohm F(f)
FlexLink RSC201-3-50/-75	Broadband Redundancy Switch unit, 3 x 2:1 rear-side, 5...2500MHz, 1RU/19" rack-mount	50Ohm SMA(f) 75Ohm F(f)
FlexLink RSC201-4—50/-75	Broadband Redundancy Switch unit, 4 x 2:1 rear-side, 5...2500MHz, 1RU/19" rack-mount	50Ohm SMA(f) 75Ohm F(f)
FlexLink RSC201-6-50/-75	Broadband Redundancy Switch unit, 6 x 2:1 rear-side, 5...2500MHz, 1RU/19" rack-mount	50Ohm SMA(f) 75Ohm F(f)

OPTIONS

Type	Short Description
FlexLink RSC201-RC Option	Remote Sense Input DB9(f), rear-panel, for redundancy switching controlled by external devices. Available only for RSC201 50/75Ohm 1-way,
FlexLink RSC201-ARS-Option	Auto reverse/fallback switching function, manually & automatically (not in combination with RC-Option)
Option 081	DC-through voltage, 30V max. 500mA per port (@ all ports)