

FlexLink S7B-816

L-Band Switch Matrix 8:16; supports extended L-Band

Made
in
Germany

GENERAL

The FlexLink S7B-816 represents a professional 8:16 L-Band Switch Matrix designed in a compact and space-saving 1RU/19" rack-mount chassis available with RF coax I/O connectors and also with optican inputs.

The FlexLink S7B-816 is a future proof L-Band Switch Matrix supporting also extended L-Band 850...2450MHz, making it a perfect solution also for KA-Band and HTS applications.

The unit features an efficient, flexible and reliable solution for today's and future L-Band signal management and allows to switch/route any input to any or all outputs without limitations and interferences, while all combinations of inputs and outputs are configurable locally and remotely.

The FlexLink S7B-816 supports variable gain adjustment, slope-equalization, RF power monitoring, Threshold monitoring/alarming, as well as 1:1 redundant dual power-supply. Furthermore the unit features switchable LNB-supply and a 10MHz external reference signal input. Isolation, linearity and frequency response are at the highest level assuring excellent and stable operation with superior RF performance and signal quality. The unit is available with 50Ohm or 75Ohm connectors for the inputs and outputs and can also be equipped with optical inputs.

The FlexLink S7B-816 has a LC-Display & keypads for user friendly local configuration. Remote configuration and monitoring can be done via its Ethernet-Interface (<http://WebGUI>, SNMP) while it can also be integrated into a management and control system (NMS or M&C) via SNMP.

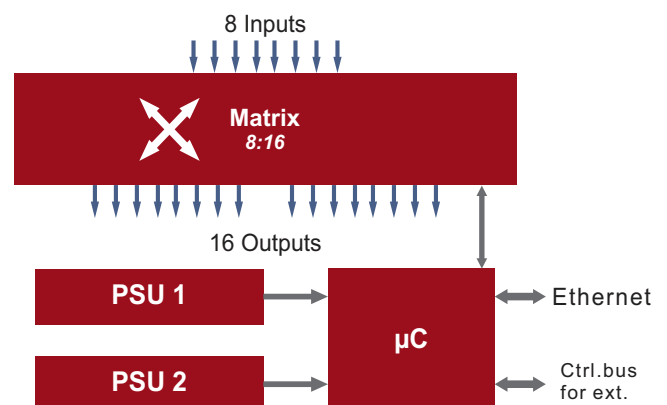
The FlexLink S7B-816 is an ideal platform for flexible signal switching applications and perfectly suited for integration into Teleports, Satellite Earth Stations, DSNG's as well as Broadcasting and CATV/IPTV headend architectures.



FEATURES & BENEFITS

- Space saving 1RU/19" rack-mount design
- Professional switching solution with 8:16 I/O configuration
- Available with 50Ohm or 75Ohm connectors
- Also available with optical inputs
- Variable gain adjustment (@ any input)
- Slope equalization 0...9dB (@ any input)**
- RF power monitoring (@ any input)
- Threshold monitoring/alarming
- Switchable LNB supply 13/15/18V, 22kHz (@ any input)
390mA current monitoring, 400mA alarm shutdown
- Features 10MHz external reference input (@ any input)**
- Front side LC-Display & keypads for local configuration
- Front side Ethernet-Interface for remote configuration (<http://WebGUI>, SNMPv2c)
- Low power-consumption & heat generation
- Superior RF performance, signal quality and stability
- 1:1 redundant dual power supply

**not operating when unit is equipped with optical inputs



Next page (techn. specifications & order-information)

FlexLink S7B-816

L-Band Switch Matrix 8:16; supports extended L-Band

Made
in
Germany

TECHNICAL SPECIFICATIONS

➤ Dimensions:	1RU/19" rack mount
➤ Weight:	approx. 7kgs.
➤ Power-supply:	85...230V, 50/60Hz (1:1 dual redundant)
➤ Power-consumption:	<25W (without LNB-supply)
➤ Frequency range:	L-Band 950 - 2150MHz Ext. L-Band 850 - 2450MHz
➤ I/O configuration:	8:16
➤ I/O Connectors:	50Ohm SMA(f)/BNC(f) or 75Ohm F(f)/BNC(f)
➤ Optical inputs:	SC/APC (see optical specifications)
➤ 10MHz external input**:	50Ohm SMA(f), rear side
➤ Variable gain control:	0dB...+10dB, 1dB steps
➤ Slope equalization**:	0...9dB, 1dB sptes (@ any input)
➤ RF Input power:	-10dBm, 0dBm max.
➤ Output IP1:	+10dBm
➤ Max. RF output power:	+5dBm
➤ In-/Output Return loss:	14dB typ.
➤ Isolation:	≥60dB typ
➤ Noise figure:	18dB typ., ± 1dB (@ full gain) 24dB typ., ± 1dB (@ full gain)* *with optical input connectors

➤ Frequency response:	± 1dB typ. ± 1,5dB max. in L-Band ± 3dB max. in extended L-Band
➤ Input level control:	Monitoring threshold adjustment / alarming
➤ IMA3 @ -10dBm:	> -56dBc
➤ RF power monitoring:	60dB dynamic range (@ any input)
➤ Switchable LNB supply**:	13/15/18V/22kHz, 390mA, 400mA max. (@ any input)
➤ Local control:	LC-Display, keypads
➤ Remote control:	100 Mbit Ethernet-Interface, (http./WebGUI, SNMPv2c)
➤ Environmental:	ETSI En300, Part 1-3, Class 3.1
➤ EMC / Safety:	EN 50083-2 / EN 60950-1
➤ Operating temperature:	0 to 45°
➤ Storage temperature:	-10 to 65°C
➤ Humidity:	90% non condensing
➤ RoHS:	Compliant

OPTICAL SPECIFICATIONS (unit with optical inputs)

➤ Fiber type:	Single mode 9/125
➤ Optical input connector:	SC/APC
➤ Operating Wavelength:	1310 to 1560nm
➤ Optical Input level:	-10dBm (min. optical sensitivity) to +10dBm max. (damage level)
➤ SFDR:	-107dB/Hz typ.

**not operating when unit is equipped with optical inputs

ORDER INFORMATION

➤ FlexLink S7B-816-50S:	L-Band Switch Matrix 8:16 I/O'S; 50Ohm SMA(f)
➤ FlexLink S7B-816-50B:	L-Band Switch Matrix 8:16 I/O'S; 50Ohm BNC(f)
➤ FlexLink S7B-816-75F:	L-Band Switch Matrix 8:16 I/O'S; 75Ohm F(f)
➤ FlexLink S7B-816-75B:	L-Band Switch Matrix 8:16 I/O'S; 75Ohm BNC(f)
➤ FlexLink S7B-816-F50S:	L-Band Switch Matrix 8:16 I/O'S; Optical IN SC/APC; 50Ohm SMA(f) OUT
➤ FlexLink S7B-816-F50B:	L-Band Switch Matrix 8:16 I/O'S; Optical IN SC/APC; 50Ohm BNC(f) OUT
➤ FlexLink S7B-816-F75F:	L-Band Switch Matrix 8:16 I/O'S; Optical IN SC/APC; 75Ohm F(f) OUT
➤ FlexLink S7B-816-F75B:	L-Band Switch Matrix 8:16 I/O'S; Optical IN SC/APC, 75Ohm BNC(f) OUT