

# FlexLink S2B

## L-Band Switch Matrix 8:24

Made  
in  
Germany

### GENERAL

The FlexLink S2B in 1RU/19" rack-mount design represents a 8:24 L-Band Switch Matrix. This unit features an efficient, reliable and space saving solution for today's and future L-Band signal management applications and allows to switch/route up to 8 independent L-Band signals to up to 24 outputs without limitations and interferences (any input can be routed to one or all outputs) while all combinations of in- and outputs are freely configurable locally and remotely.

The new FlexLink S7B-1616 is a future proof Switch Matrix now with widened bandwidth for extended L-Band 850...2450MHz, making it a perfect solution also for KA-Band and HTS applications.

The unit additionally features variable gain-control, slope equalization, switchable LNB-supply, RF power monitoring, Threshold monitoring/alarming, a 10MHz external reference signal input and 1:1 redundant dual power-supply. Isolation, linearity and frequency response values are at the highest level assuring excellent and stable operation with superior RF performance and signal quality.

The FlexLink S2B is equipped with a front-side LC-Display and keypads for user-friendly local configuration. Remote configuration can be done via its rear-side Ethernet-Interface or RS232-interface ([http/WebGUI](http://WebGUI), SNMP) while it can also be integrated into a management and control system (NMS or M&C) via SNMP.

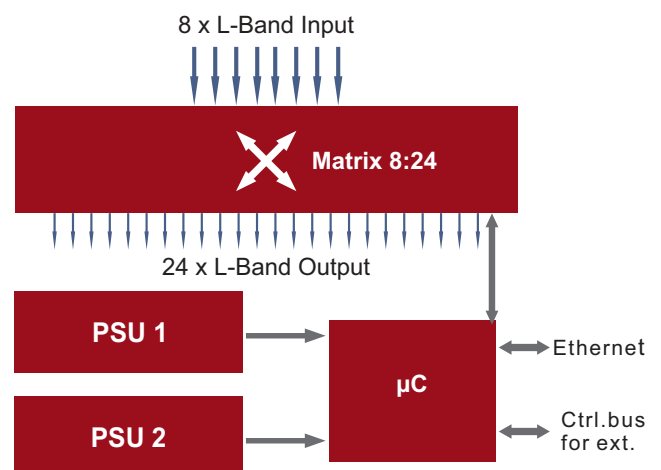
The FlexLink S2B is an ideal platform for flexible signal switching/routing applications and perfectly suited for integration into Teleports, Satellite Earth-Stations as well as Broadcasting and CATV/IPTV headend architectures.



### FEATURES & BENEFITS

- Space saving 1RU/19" rack-mount design
- Professional switching solutions with 8:24 I/O configuration
- Available with 50Ohm or 75Ohm impedance/connectors
- In- and output combinations freely configurable
- Variable gain adjustment (@ any input)
- Slope equalization 0...9dB (@ any input)
- RF power monitoring (@ any input)
- Threshold monitoring/alarming
- Switchable LNB supply 13/15/18V, 22kHz (@ any input)  
390mA current monitoring, 400mA alarm shutdown
- Features 10MHz external reference input (@ any input)
- Front side LC-Display & keypads for local configuration
- Ethernet-Interface for remote configuration (<http://WebGUI>, SNMPV2c)
- Low power-consumption & heat generation
- Superior RF performance, signal quality and stability
- 1:1 redundant dual power supply
- Admin. & User login protection

### BLOCK DIAGRAM



### ORDER INFORMATION

- **FlexLink S2B-50S:** 8:24 L-Band Switch Matrix, 50 Ohm SMA(f)
- **FlexLink S2B-50B:** 8:24 L-Band Switch Matrix, 50 Ohm BNC(f)
- **FlexLink S2B-75F:** 8:24 L-band Switch Matrix, 75Ohm F(f)
- **FlexLink S2B-75B:** 8:24 L-Band Switch Matrix, 75 Ohm BNC(f)

# FlexLink S2B

## L-Band Switch Matrix 8:24

■ Made  
■ in  
■ Germany

### TECHNICAL SPECIFICATIONS

➤ <b>Dimensions/unit:</b>	1RU/19" rack-mount	➤ <b>Frequency response:</b>	±1.0dB typ, ±2dB max.
➤ <b>Weight/unit:</b>	approx. 6 kg	➤ <b>Input level control:</b>	Monitoring threshold adjustment / alarming
➤ <b>Power-supply:</b>	85...230V, 50/60Hz, 1:1 redundant	➤ <b>IMA3 @ -10dBm:</b>	> -50dBc
➤ <b>Power-consumption:</b>	<22W (without LNB-supply)	➤ <b>RF power monitoring:</b>	60dB dynamic range (@ any input)
➤ <b>Frequency range:</b>	L-Band 950 - 2150MHz	➤ <b>Switchable LNB supply:</b>	13/15/18V/22kHz, 390mA, 400mA max. (@ any input)
➤ <b>Capacity:</b>	8:24 (8 x input / 24 x output)	➤ <b>Local control:</b>	LC-Display, keypads
➤ <b>Connectors (IN/OUT):</b>	50Ohm SMA(f)/BNC(f) or 75Ohm F(f)/BNC(f)	➤ <b>Remote control:</b>	100MBit Ethernet-Interface WEB-GUI (http./SNMPv2c)
➤ <b>10MHz external input:</b>	50Ohm SMA(f), rear side	➤ <b>Environmental:</b>	ETSI En300, Part 1-3, Class 3.1
➤ <b>Variable gain-control:</b>	0dB...+12dB, 1dB steps (@ any input)	➤ <b>EMC / Safety:</b>	EN 50083-2/EN 60950-1
➤ <b>Slope equalization**:</b>	0...9dB, 1dB steps (@ any input)	➤ <b>Operating temperature:</b>	0...45°
➤ <b>RF Input power:</b>	-10dBm, 0dBm max.	➤ <b>Storage temperature:</b>	-10...70°C
➤ <b>Output IP1:</b>	+6dBm	➤ <b>Humidity:</b>	90% non condensing
➤ <b>Max. RF output power:</b>	+6dBm	➤ <b>RoHS:</b>	Compliant
➤ <b>In./output Return loss:</b>	14dB typ.		
➤ <b>Isolation</b>	≥50dB typ.		
➤ <b>Noise figure:</b>	≤6dB		

### APPLICATION EXAMPLE

